



18.9 % EFFICIENCY

UP TO 315W

60 CELLS



EUPD RESEARCH

TOP BRAND PV

MODULES

GERMANY

2018

EUPD RESEARCH

TOP BRAND PV

MODULES

AUSTRALIA

2018



Exceeds the IEC standard 3 times over
Because standards are there to be surpassed.



Low series resistance
Because we want best yields for you.



PERC Technologies
Because a 3% increase in yield is better than nothing.



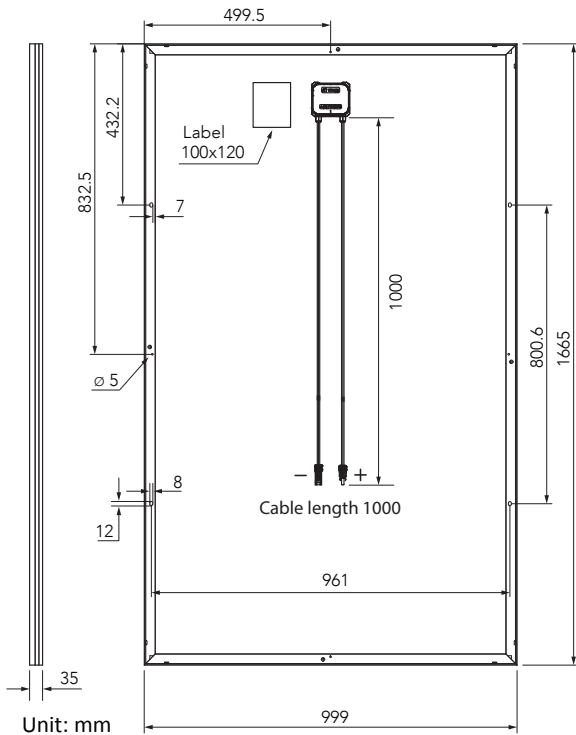
15 year product warranty
25 year linear performance guarantee.



10 years of WINAICO quality modules
WINAICO has been providing the global market with quality solar panels for over 10 years.



100% electroluminescence test
Because we only deliver premium solar modules.



Mechanical data

Cell	Monocrystalline 156.75 x 156.75 mm
Quantity and wiring of cells	60 in series
Dimensions	1,665 x 999 x 35 mm (65.55 x 39.33 x 1.38 in)
Weight	18.6 kg (41.0 lbs)
Glass thickness	3.2 mm (0.13 in)
Frame	Black anodised aluminium
Junction box	IP 67
Connector type	MC4 (PV-KBT4/PV-KST4) IP68; QC4.10 IP67
Module fire performance	Type 4
Fire safety class	C

Operating conditions

Operating temperature	-40 °C to +85 °C / -40 °F to +185 °F
Maximum system voltage IEC/UL	1,000 V/1,000 V
Maximum series fuse	20 A
Maximum design load (+) / (-)	3,600 Pa / 2,400 Pa
Maximum test load (+) / (-)	5,400 Pa / 3,600 Pa
Nominal Module Operating Temperature NMOT	45 ± 3 °C
Temperature coefficient of P _{MAX}	-0.38%/°C
Temperature coefficient of V _{OC}	-0.29%/°C
Temperature coefficient of I _{SC}	0.04%/°C

Certifications

IEC 61215-1:2016, IEC 61215-2:2016, IEC 61730-1:2016, IEC 61730-2:2016

Electrical data (STC)		WST-310M6	WST-315M6	
Nominal performance	P _{MAX}	310	315	Wp
Voltage at maximum performance	V _{MP}	32.91	33.24	V
Current at maximum performance	I _{MP}	9.42	9.48	A
Open circuit voltage	V _{OC}	40.25	40.40	V
Short circuit current	I _{SC}	10.06	10.16	A
Module efficiency		18.64	18.94	%
Power tolerance		-0/+5		W

The electrical data applies under standard test conditions (STC): solar radiation 1,000 W/m² with light spectrum AM 1.5, with cell temperature 25 °C. Measurement tolerance of P_{MAX} at STC: ±3%. Accuracy of other electrical data: ±10%.

Electrical data (NMOT)		WST-310M6	WST-315M6	
Nominal performance	P _{MAX}	226	229	Wp
Voltage at maximum performance	V _{MP}	30.24	30.54	V
Current at maximum performance	I _{MP}	7.46	7.51	A
Open circuit voltage	V _{OC}	37.92	38.06	V
Short circuit current	I _{SC}	7.96	8.04	A

The electrical data applies under Nominal Module Operating Temperature (NMOT), irradiance of 800 W/m², spectrum AM 1.5, ambient temperature 20 °C, wind speed 1 m/s.



WINAICO Deutschland GmbH
 Tel + 49 7933 700 300
 Fax + 49 7933 700 3010
 germany@winaico.com · www.winaico.com
 Industriestraße 68, 97993 Creglingen, GERMANY



WINAICO is a trademark of
 Win Win Precision Technology Co., Ltd.